

Kawasaki 18 hp

Spare parts

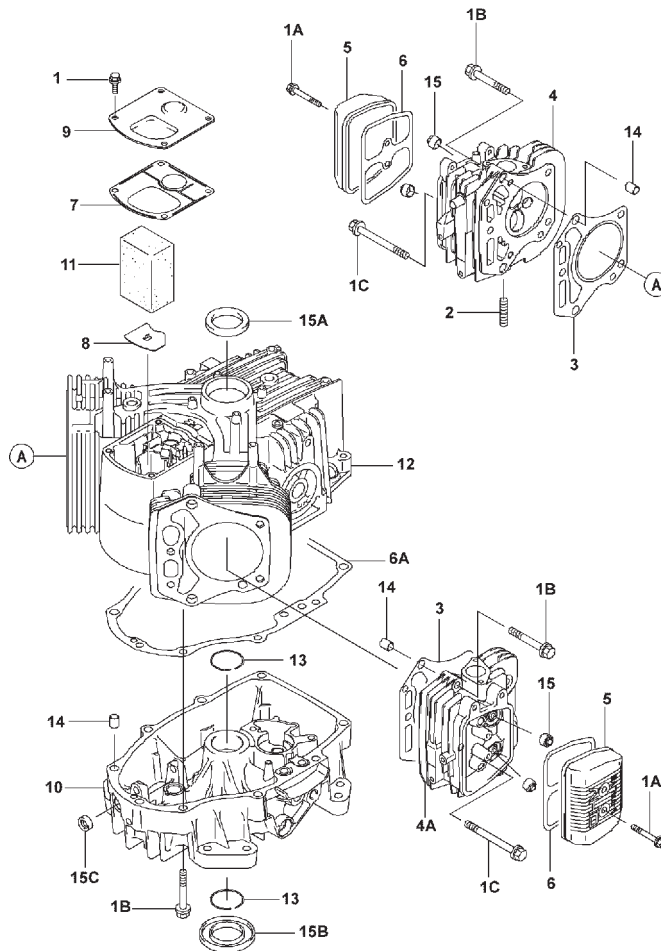
Ersatzteile

Pièces détachées

Reserve onderdelen

Repuestos

Reservdelar



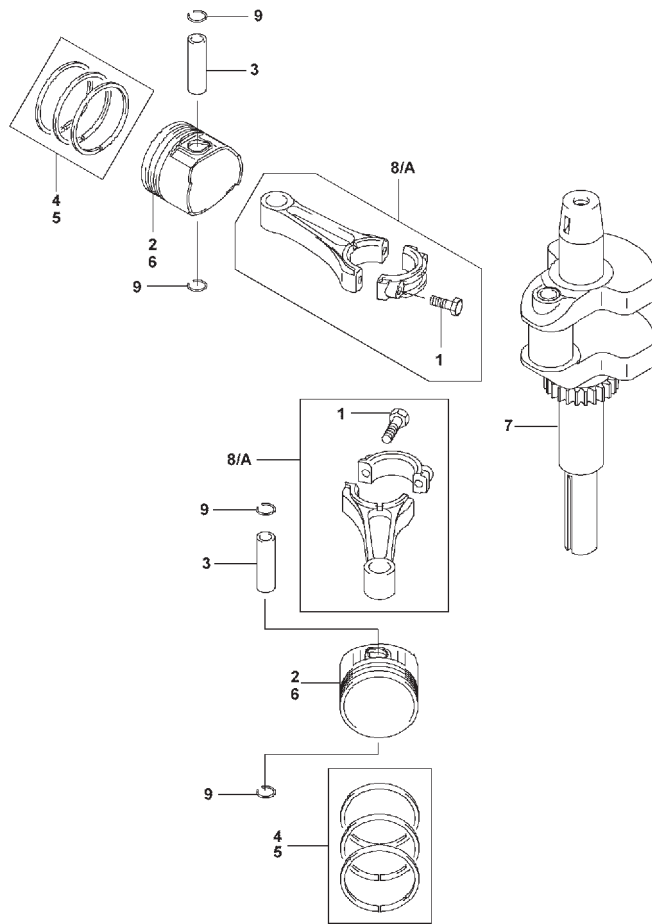
Ref.No	Part.No	Part Name	Qty
1	725 22 66-91	BOLT-FLANGED	4
1A	535 41 42-67	BOLT-FLANGED	4
1B	535 41 42-70	BOLT-FLANGED	17
1C	535 41 42-71	BOLT-FLANGED	2
2	535 41 45-07	BOLT-STUD	4
3	535 41 42-03	GASKET-HEAD	2
4	535 41 42-04	HEAD-COMP-CYLINDER	1
4A	535 41 42 07	HEAD-COMP-CYLINDER	1
5	535 41 42-16	CASE-ROCKER	2
6	535 41 42-22	GASKET, ROCKET CASE	2
6A	535 41 42-26	GASKET, CRANKCASE COVER	1
7	535 41 42-32	GASKET	1
8	535 41 42-87	PLATE	1
9	535 41 42-96	COVER	1
10	535 41 43-75	COVER-CRANKCASE	1
11	535 41 43-90	ELEMENT-BREATHER	1
12	535 41 43-97	CRANKCASE-COMP	1
13	535 41 44-41	RING-SNAP	2
14	535 41 44-46	PIN	6
15	535 41 44-49	SEAL-OIL	4
15A	535 41 44-50	SEAL-OIL	1
15B	535 41 44-51	SEAL-OIL	1
15C	535 41 44-52	SEAL-OIL	1

Correction:

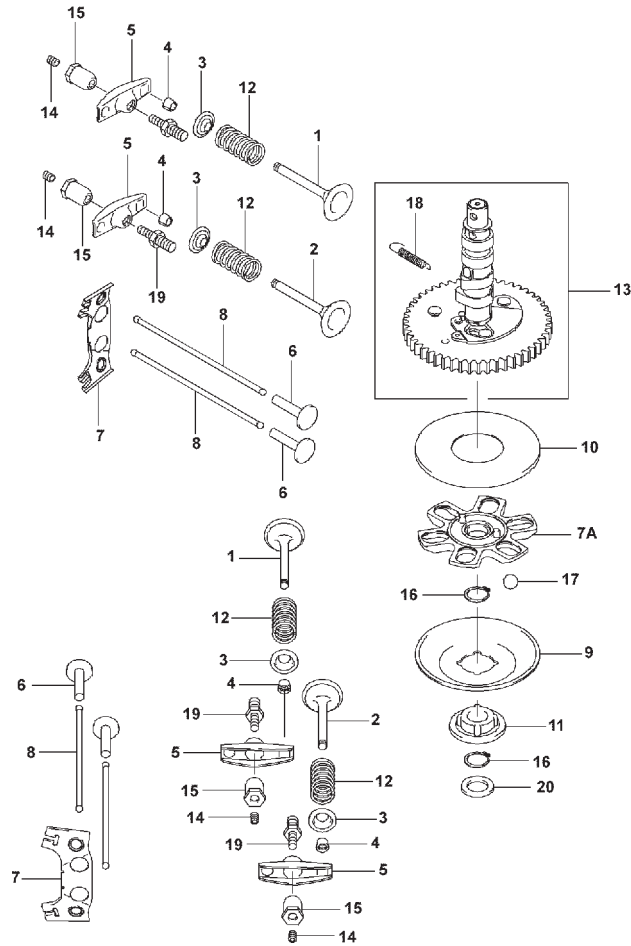
Ref.No

7

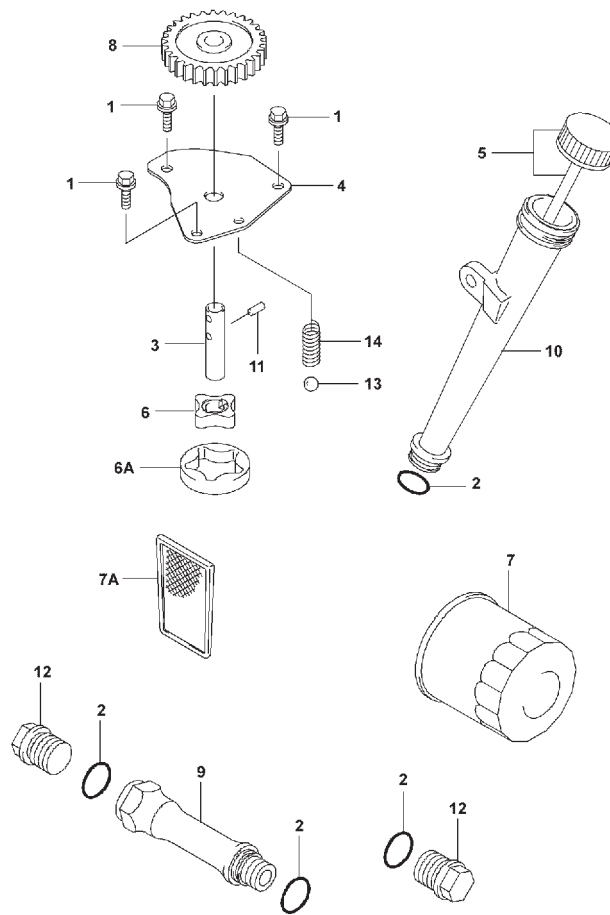
535 41 42-38



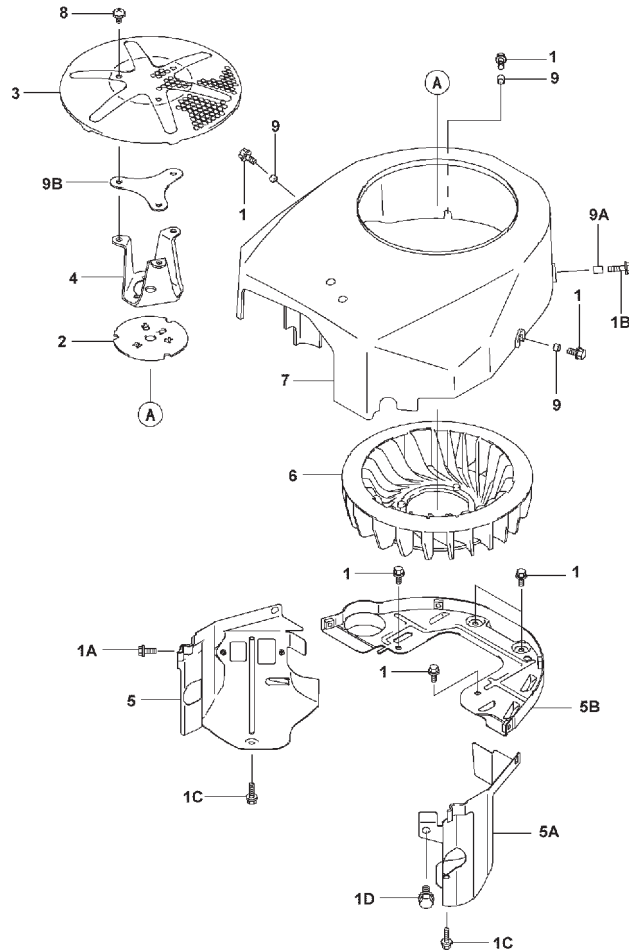
Ref. No.	Part No.	Part Name	Qty
1	535 41 42-69	BOLT-FLANGED	4
2	535 41 42-50	PISTON-ENGINE	2
3	535 41 42-51	PIN-PISTON	2
4	535 41 42-52	RING-SET-PISTON	2
5	535 41 42-54	RING-SET-PISTON L,0.50	AR
6	535 41 42-57	PISTON-ENGINE L,0.50	AR
7	535 41 42-58	CRANKSHAFT-COMP	1
8	535 41 42-78	ROD-ASSY-CONNECTING.U/S=0.50	2
8A	535 41 42-79	ROD-ASSY-CONNECTING	2
9	535 41 44-43	RING-SNAP	4



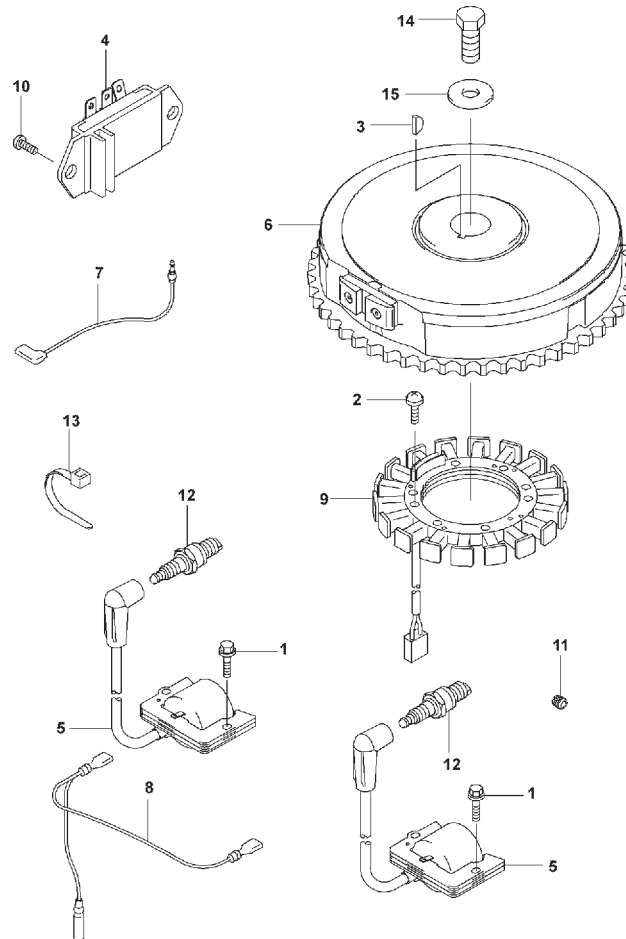
Ref. No.	Part No.	Part Name	Qty
1	535 41 42-41	VALVE-INTAKE	2
2	535 41 42-43	VALVE-EXHAUST	2
3	535 41 42-44	RETAINER-VALVE SPRING	4
4	535 41 42-45	COLLET	8
5	535 41 42-46	ARM-ROCKER	4
6	535 41 42-48	TAPPET	4
7	535 41 42-60	GUIDE	2
7A	535 41 42-61	GUIDE	1
8	535 41 42-76	ROD-PUSH	4
9	535 41 42-82	PLATE	1
10	535 41 42-86	PLATE	1
11	535 41 43-69	SLEEVE	1
12	535 41 43-81	SPRING-ENGINE VALVE	4
13	535 41 43-95	CAMSHAFT-COMP	1
14	535 41 44-24	SCREW	4
15	531 00 11-81	NUT	4
16	535 41 44-40	RING-SNAP	2
17	535 41 44-70	BALL	6
18	535 41 44-73	SPRING	1
19	535 41 44-84	BOLT	4
20	535 41 45-03	WASHER	1



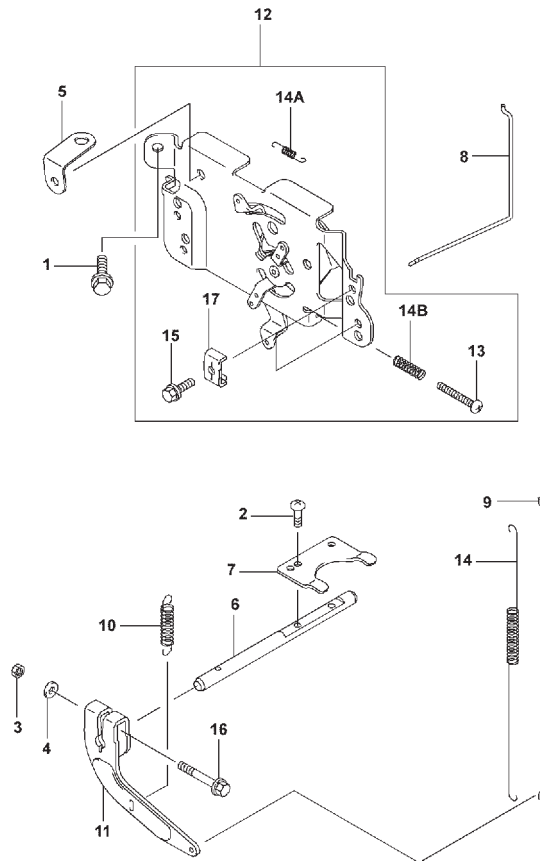
Ref. No.	Part No.	Part Name	Qty
1	725 23 66-61	BOLT-FLANGED	3
2	531 00 11-90	O RING	4
3	535 41 42-73	SHAFT	1
4	535 41 42-88	PLATE	1
5	535 41 42-92	CAP-ASSY	1
6	535 41 43-25	ROTOR-PUMP,IN	1
6A	535 41 43-26	ROTOR-PUMP,OUT	1
7	535 41 43-78	FILTER-OIL	1
7A	535 41 43-80	FILTER-OIL	1
8	535 41 44-11	GEAR-SPUR	1
9	535 41 44-16	JOINT	1
10	535 41 44-19	FILLER	1
11	535 41 44-47	PIN	1
12	535 41 44-60	PLUG	2
13	535 41 44-71	BALL	1
14	535 41 44-74	SPRING	1



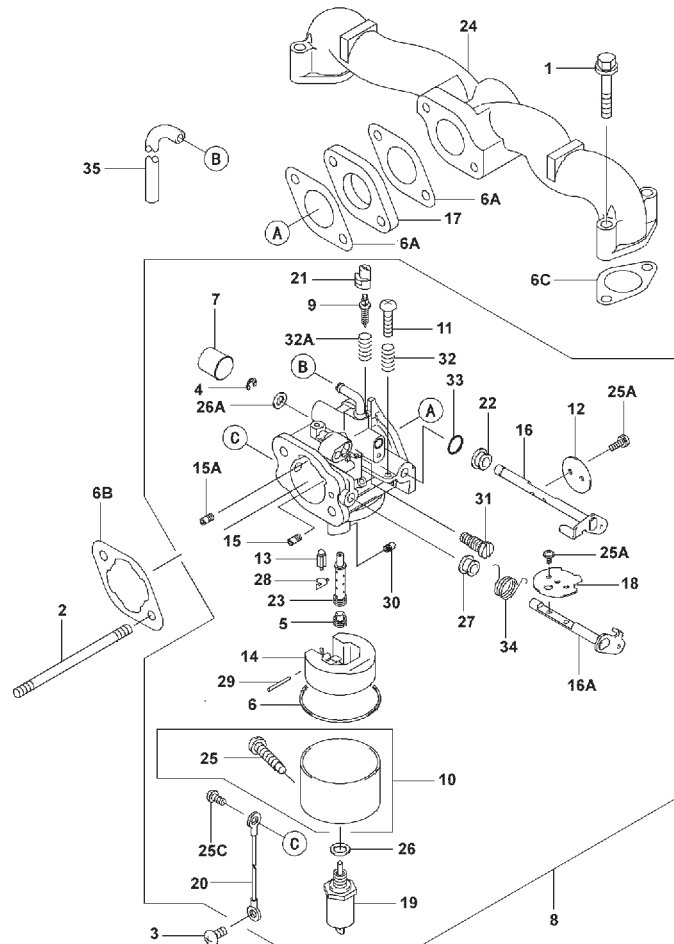
Ref. No.	Part No.	Part Name	Qty
1	725 23 66-61	BOLT-FLANGED	7
1A	725 23 68-61	BOLT-FLANGED	2
1B	535 41 42-64	BOLT-FLANGED	1
1C	535 41 42-65	BOLT-FLANGED	2
1D	535 41 42-68	BOLT-FLANGED	1
2	535 41 42-62	PLATE	1
3	535 41 42-91	SCREEN	1
4	535 41 43-54	BRACKET-COMP	1
5	535 41 43-83	SHROUD-ENGINE	1
5A	535 41 43-84	SHROUD-ENGINE	1
5B	535 41 43-85	SHROUD-ENGINE	1
6	535 41 44-09	FAN	1
7	535 41 44-12	HOUSING-FAN	1
8	535 41 44-31	SCREW, 6X10	3
9	535 41 44-35	SPACER, 6.2X7.9X5	3
9A	535 41 44-36	SPACER, 6.5X7.9X10.5	1
9B	535 41 44-37	SPACER	1



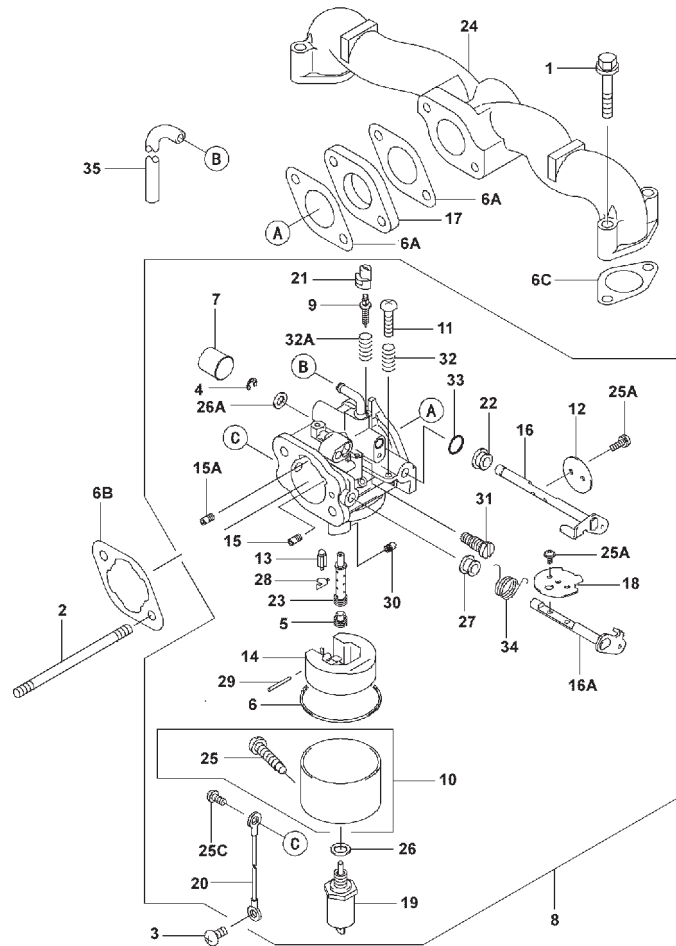
Ref. No.	Part No.	Part Name	Qty
1	535 41 42-64	BOLT-FLANGED	4
2	535 41 43-51	SCREW-PAN-WP-CROS	4
3	535 41 44-02	KEY-WOODRUFF	1
4	535 41 43-39	REGULATOR-VOLTAGE	1
5	535 41 43-43	COIL-ASSY-IGNITION	2
6	535 41 43-48	FLYWHEEL-ASSY	1
7	535 41 43-57	WIRE-LEAD	1
8	535 41 43-59	HARNESS	1
9	535 41 44-08	COIL-CHARGING	1
10	531 00 12-78	SCREW	2
11	535 41 44-59	PLUG	1
12	535 41 44-63	PLUG-SPARK,RCJ8Y, SOLID	2
13	535 41 44-65	BAND	2
14	535 41 44-83	BOLT,12X30	1
15	535 41 45-04	WASHER	1



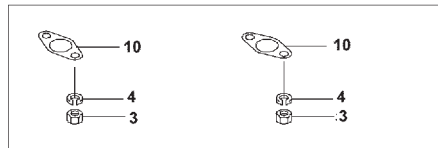
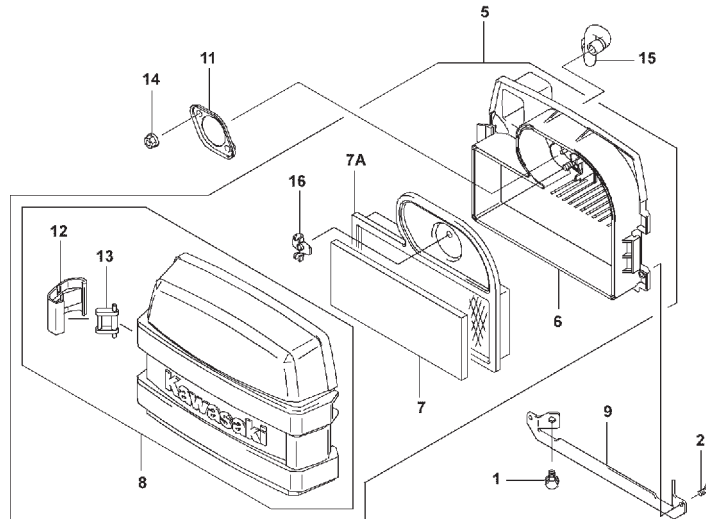
Ref. No.	Part No.	Part Name	Qty
1	725 23 66-61	BOLT-FLANGED	2
2	535 41 43-49	SCREW-PAN+-	2
3	535 41 43-62	NUT-HEX	1
4	535 41 43-68	WASHER-PLAIN	1
5	535 41 42-20	BRACKET	1
6	535 41 42-74	SHAFT	1
7	535 41 42-89	PLATE	1
8	535 41 43-29	LINK-CHOKE	1
9	535 41 43-31	LINK	1
10	535 41 43-65	SPRING-GOVERNOR	1
11	535 41 43-89	ARM-GOVERNOR	1
12	535 41 43-93	PANEL-COMP-CONTROL	1
13	535 41 44-26	SCREW,4X30	1
14	535 41 44-75	SPRING	1
14A	535 41 44-77	SPRING	1
14B	535 41 44-78	SPRING	1
15	535 41 44-82	BOLT,5X18	2
16	535 41 44-85	BOLT,6X30	1
17	535 41 44-90	CLAMP	2



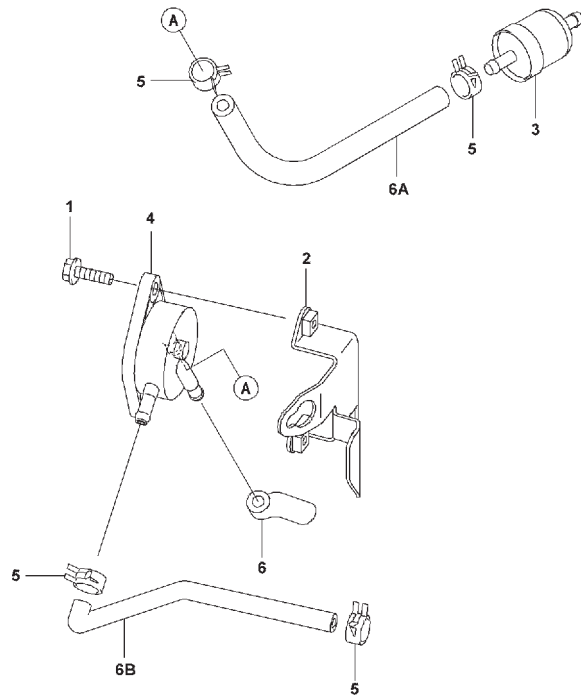
Ref. No.	Part No.	Part Name	Qty
1	535 41 42-66	BOLT-FLANGED	4
2	535 41 43-36	BOLT-STUD	2
3	535 41 43-50	SCREW-PAN +- CIRCLIP-TYPE-E	1
4	531 00 13-35	CIRCLIP-TYPE-E	1
5	535 41 42-01	SEAT-VALVE	1
6	535 41 42-21	GASKET	1
6A	535 41 42-23	GASKET, INSURATOR	2
6B	535 41 42-24	GASKET, AIR FILTER	1
6C	535 41 42-25	GASKET	2
7	535 41 42-39	CAP	1
8	535 41 42-97	CARBURETOR-ASSY	1
9	535 41 43-01	SCREW-PILOT AIR	1
10	535 41 43-02	CHAMBER-FLOAT	1
11	535 41 43-03	SCREW-THROTTLE STOP	1
12	535 41 43-04	VALVE-THROTTLE, #130	1
13	531 00 35-36	VALVE-FLOAT	1
14	531 00 35-37	FLOAT	1
15	535 41 43-09	JET-AIR, # 1.7	1
15A	535 41 43-12	JET-AIR, # 1.2	1
16	535 41 43-13	SHAFT-CARBURETOR	1
16A	535 41 43-16	SHAFT-CARBURETOR	1
17	535 41 43-19	INSULATOR	1
18	535 41 43-23	VALVE	1
19	535 41 43-45	SOLENOID	1
20	535 41 43-56	WIRE-LEAD	1



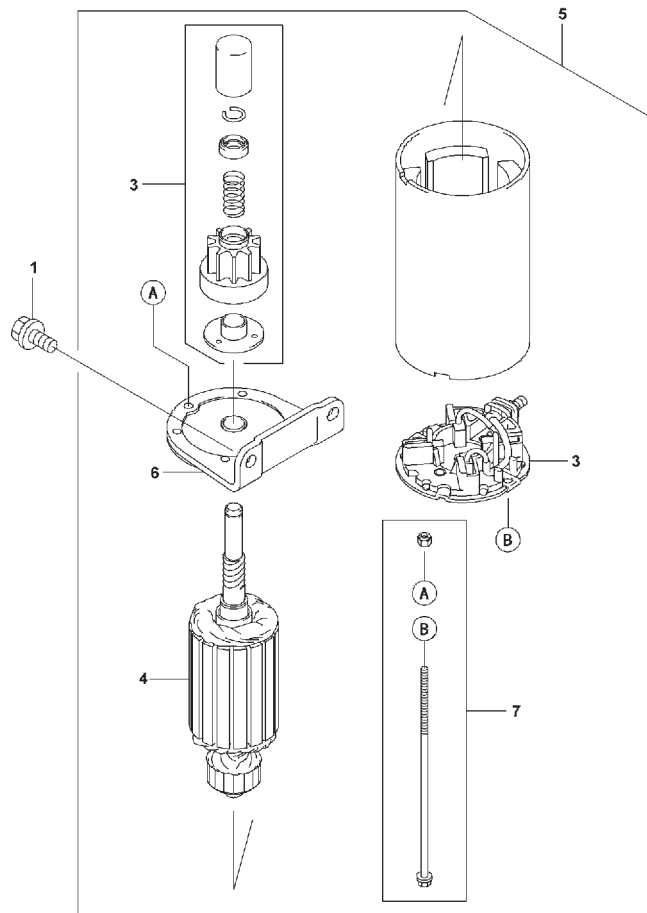
Ref. No.	Part No.	Part Name	Qty
21	535 41 43-64	LIMITER	1
22	535 41 43-71	RING	1
23	535 41 44-01	NOZZLE-MAIN, #113A	1
24	535 41 44-17	MANIFOLD-INTAKE	1
25	531 00 12-56	SCREW	1
25A	535 41 44-22	SCREW	2
25B	535 41 44-23	SCREW	2
25C	535 41 44-25	SCREW	1
26	535 41 44-33	WASHER	1
26A	535 41 44-34	WASHER	1
27	531 00 35-55	COLLAR	1
28	535 41 44-39	RING-SNAP	1
29	535 41 44-45	PIN	1
30	535 41 44-54	JET-MAIN, # 125	1
31	535 41 44-57	JET-PILOT, # 48.8	1
32	531 00 12-64	SPRING	1
32A	535 41 44-66	SPRING	1
33	535 41 44-67	SEAL	1
34	535 41 44-72	SPRING	1
35	535 41 45-02	TUBE, 4.76X7.94X225	1



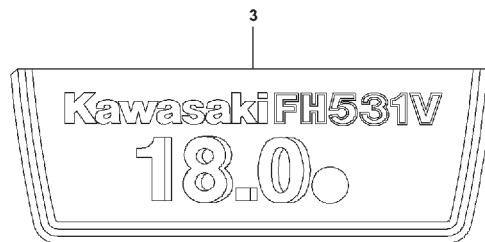
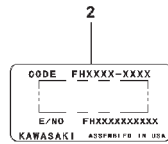
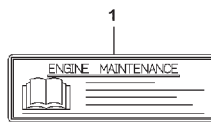
Ref. No.	Part No.	Part Name	Qty
1	725 23 66-61	BOLT-FLANGED	2
2	535 41 43-55	SCREW-PAN-WS+-	2
3	535 41 43-63	NUT-HEX-SMALL	4
4	535 41 43-72	WASHER-SPRING	4
5	535 41 42-08	FILTER-ASSY-AIR	1
6	535 41 42-09	CASE-AIR FILTER	1
7	535 41 42-11	ELEMENT-AIR-FILTER	1
7A	535 41 42-12	ELEMENT-AIR FILTER	1
8	535 41 42-18	CASE-ASSY-AIR-FILTER	1
9	535 41 42-19	BRACKET	1
10	535 41 42-36	GASKET; MUFFLER	2
11	535 41 42-82	PLATE	1
12	535 41 43-61	HOOK, AIR FILTER	2
13	535 41 44-15	JOINT	2
14	535 41 44-32	NUT	2
15	535 41 44-93	TUBE	1
16	535 41 45-05	NUT	1



Ref. No.	Part No.	Part Name	Qty
1	535 41 42-64	BOLT-FLANGED	2
2	535 41 43-52	BRACKET-COMP	1
3	535 41 43-76	FILTER-FUEL	1
4	535 41 43-77	PUMP-FUEL	1
5	535 41 44-89	CLAMP	4
6	535 41 44-94	TUBE	1
6A	535 41 44-95	TUBE,6.35X12.7X160	1
6B	535 41 44-96	TUBE	1



Ref. No.	Part No.	Part Name	Qty
1	535 41 42-68	BOLT-FLANGED	2
2	535 41 42-72	GEAR-ASSY	1
3	535 41 43-38	BRUSH	1
4	535 41 43-41	ARMATURE	1
5	535 41 43-42	STARTER-ELECTRIC	1
6	535 41 43-67	BRACKET-ASSY	1
7	535 41 43-86	BOLT	1



Ref. No.	Part No.	Part Name	Qty
1	535 41 44-03	LABEL-MANUAL	1
2	535 41 44-04	LABEL-PRODUCT	1
3	535 41 44-05	LABEL-BRAND	1